

AL SERIES COMPRESSOR

SUPERIOR EFFICIENCY FOR LOW & MEDIUM TEMPERATURE APPLICATIONS



UP TO 15% BETTER EFFICIENCY COMPARED TO SIMILAR COMPETITIVE MODELS

New motor and improved suction and discharge systems maximize compressor efficiency.

COMPACT SIZE FOR 15-20 CC DISPLACEMENTS

Small housing size combined with wide cooling capacity range can offer the same compressor for LBP and MBP applications.

VERSATILITY

Industry standard suction, discharge and process connections make installation and serviceability easy.

NATURAL REFRIGERANT

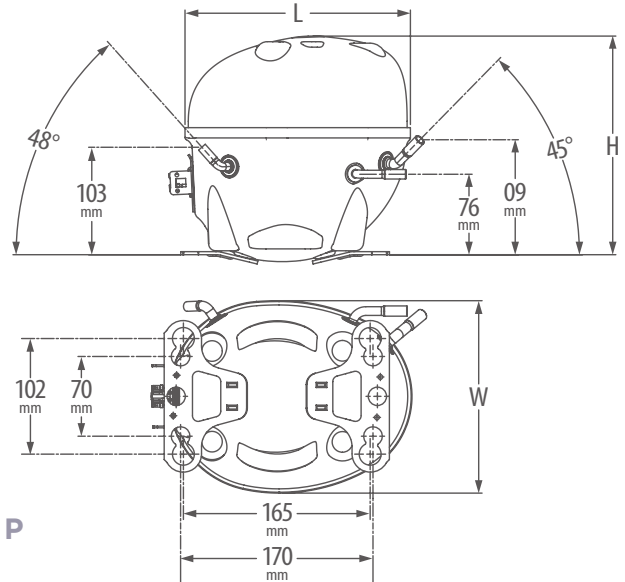
Designed specifically for natural refrigerant R-290 (propane).

COMPRESSOR DIMENSIONS

UNIVERSAL MODEL

DIMENSIONS mm (inches)			
MODEL	L	H	W
AL (HH)	215 (8.46)	214 (8.42)	169 (6.65)
AL (SH)	215 (8.46)	207 (8.14)	169 (6.65)

NOTE: HH: High Housing / SH: Short Housing



RANGE & PERFORMANCE

R-290 COMPRESSOR PERFORMANCE — L/MBP

ASHRAE / 50Hz

MODEL	RATING POINT	COOLING CAPACITY			EFFICIENCY (EER / COP)			VOLTAGE / FREQUENCY	MOTOR TYPE	DISPLACEMENT		WEIGHT	
		Btu/h	W	kcal/h	Btu/Wh	W/W	kcal/Wh			cm ³	in ³	kg	lb
ALX430U-FZ1A	1	2325	681	586	5.18	1.52	1.30	220-240V/50Hz	CSIR	15.09	0.92	13.2	29.12
	2	4630	1357	1167	7.53	2.21	1.90						
ALX435U-FZ1A	1	2800	821	706	5.12	1.50	1.29	220-240V/50Hz	CSIR	17.71	1.08	15.0	33.09
	2	5460	1600	1376	7.27	2.13	1.83						
ALX440U-FZ1A*	1	—	—	—	—	—	—	220-240V/50Hz	CSIR	19.95	1.22	—	—
	2	—	—	—	—	—	—						
ALX430U-FZ3A	1	2270	665	572	5.81	1.70	1.46	220-240V/50Hz	CSR	15.09	0.92	13.1	28.9
	2	4650	1363	1172	8.55	2.51	2.15						
ALX435U-FZ3A	1	2850	835	718	5.79	1.70	1.46	220-240V/50Hz	CSR	17.71	1.08	13.1	28.9
	2	5330	1562	1343	7.91	2.32	1.99						
ALX440U-FZ3A	1	3190	935	804	5.70	1.67	1.44	220-240V/50Hz	CSR	19.95	1.22	13.6	30.0
	2	6240	1829	1572	8.18	2.40	2.06						

NOTES: *Under development.

Rating Point 1 (ASHRAE 32, Fan)
 Evap. Temp.: -23.3°C / -10°F
 Cond. Temp.: 54.4°C / 130°F

Return Gas Temp.: 32.2°C / 90°F
 Liquid Temp.: 32.2°C / 90°F
 Ambient Temp.: 32.2°C / 90°F

Rating Point 2 (ASHRAE 32, Fan)
 Evap. Temp.: -6.7°C / 20°F
 Cond. Temp.: 54.4°C / 130°F

Return Gas Temp.: 32.2°C / 90°F
 Liquid Temp.: 32.2°C / 90°F
 Ambient Temp.: 32.2°C / 90°F

Oil Charge: 327 ml
 Oil Type: POE
 Oil Viscosity: 32 cSt
 Cooling: FAN

ENI2900 / 50Hz

MODEL	RATING POINT	COOLING CAPACITY			EFFICIENCY (EER / COP)			VOLTAGE / FREQUENCY	MOTOR TYPE	DISPLACEMENT		WEIGHT	
		Btu/h	W	kcal/h	Btu/Wh	W/W	kcal/Wh			cm ³	in ³	kg	lb
ALX430U-FZ1A	3	1290	378	325	3.96	1.16	1.00	220-240V/50Hz	CSIR	15.09	0.92	13.2	29.1
	4	3700	1084	932	6.83	2.00	1.72						
ALX435U-FZ1A	3	1560	457	393	4.05	1.19	1.02	220-240V/50Hz	CSIR	17.71	1.08	15.0	33.1
	4	4370	1281	1101	6.80	1.99	1.71						
ALX440U-FZ1A*	3	—	—	—	—	—	—	220-240V/50Hz	CSIR	19.95	1.22	—	—
	4	—	—	—	—	—	—						
ALX430U-FZ3A	3	1240	363	312	4.49	1.32	1.13	220-240V/50Hz	CSR	15.09	0.92	13.1	28.9
	4	3730	1093	940	7.84	2.30	1.97						
ALX435U-FZ3A	3	1550	454	391	4.37	1.28	1.10	220-240V/50Hz	CSR	17.71	1.08	13.1	28.9
	4	4415	1294	1113	7.41	2.17	1.87						
ALX440U-FZ3A	3	1800	528	454	4.47	1.31	1.13	220-240V/50Hz	CSR	19.95	1.22	13.6	30.0
	4	4990	1463	1257	7.43	2.18	1.87						

NOTES: *Under development.

Rating Point 3 (ENI2900, Fan)
 Evap. Temp.: -35°C / -31°F
 Cond. Temp.: 40°C / 104°F

Return Gas Temp.: 20°C / 68°F
 Liquid Temp.: 40°C / 104°F
 Ambient Temp.: 32°C / 90°F

Rating Point 4 (ENI2900, Fan)
 Evap. Temp.: -10°C / 14°F
 Cond. Temp.: 45°C / 113°F

Return Gas Temp.: 20°C / 68°F
 Liquid Temp.: 45°C / 113°F
 Ambient Temp.: 32°C / 90°F

Oil Charge: 327 ml
 Oil Type: POE
 Oil Viscosity: 32 cSt
 Cooling: FAN

RANGE & PERFORMANCE

R-290 COMPRESSOR PERFORMANCE — L/MBP

ASHRAE / 60Hz

MODEL	RATING POINT	COOLING CAPACITY			EFFICIENCY (EER /COP)			VOLTAGE / FREQUENCY	MOTOR TYPE	DISPLACEMENT		WEIGHT	
		Btu/h	W	kcal/h	Btu/Wh	W/W	kcal/Wh			cm ³	in ³	kg	lb
ALX430U-DS3A	1	2900	850	731	5.80	1.70	1.46	115-127V/60Hz	CSR	15.09	0.92	13.5	29.8
	2	5300	1553	1336	7.65	2.24	1.93						
ALX435U-DS3A	1	3460	1014	872	5.75	1.68	1.45	115-127V/60Hz	CSR	17.71	1.08	13.7	30.2
	2	6040	1770	1522	7.31	2.14	1.84						
ALX440U-DS3A	1	3920	1149	988	5.72	1.68	1.44	115-127V/60Hz	CSR	19.95	1.22	14.7	32.4
	2	6800	1993	1714	7.27	2.13	1.83						

NOTES:

Rating Point 1 (ASHRAE 32, Fan)

Evap. Temp.: -23.3°C / -10°F

Cond. Temp.: 54.4°C / 130°F

Return Gas Temp.: 32.2°C / 90°F

Liquid Temp.: 32.2°C / 90°F

Ambient Temp.: 32.2°C / 90°F

Rating Point 2 (ASHRAE 46, Fan)

Evap. Temp.: -6.7°C / 20°F

Cond. Temp.: 54.4°C / 130°F

Return Gas Temp.: 35°C / 95°F

Liquid Temp.: 46°C / 115°F

Ambient Temp.: 35°C / 95°F

Oil Charge: 327 ml

Oil Type: POE

Oil Viscosity: 32 cSt

Cooling: FAN

ARI / 60Hz

MODEL	RATING POINT	COOLING CAPACITY			EFFICIENCY (EER /COP)			VOLTAGE / FREQUENCY	MOTOR TYPE	DISPLACEMENT		WEIGHT	
		Btu/h	W	kcal/h	Btu/Wh	W/W	kcal/Wh			cm ³	in ³	kg	lb
ALX430U-DS3A	3	2330	683	587	4.78	1.40	1.21	115-127V/60Hz	CSR	15.09	0.92	13.5	29.8
	4	4670	1369	1177	7.12	2.09	1.79						
ALX435U-DS3A	3	2760	809	686	4.55	1.33	1.15	115-127V/60Hz	CSR	17.71	1.08	13.7	30.2
	4	5060	1483	1275	6.45	1.89	1.62						
ALX440U-DS3A	3	3170	929	799	4.71	1.38	1.19	115-127V/60Hz	CSR	19.95	1.22	14.7	32.4
	4	6180	1811	1557	6.78	1.99	1.71						

NOTES:

Rating Point 3 (ARI LBP, Fan)

Evap. Temp.: -23.3°C / -10°F

Cond. Temp.: 49°C / 120°F

Return Gas Temp.: 4.4°C / 40°F

Liquid Temp.: 49°C / 120°F

Ambient Temp.: 35°C / 99°F

Rating Point 4 (ARI MBP, Fan)

Evap. Temp.: -6.7°C / 20°F

Cond. Temp.: 49°C / 120°F

Return Gas Temp.: 4.4°C / 40°F

Liquid Temp.: 49°C / 120°F

Ambient Temp.: 35°C / 99°F

Oil Charge: 327 ml

Oil Type: POE

Oil Viscosity: 32 cSt

Cooling: FAN

APPLICATION WINDOW

APPLICATION CODE	APPLICATION PRESSURE	EVAPORATING TEMPERATURE RANGE											
		-40°F	-31°F	-22°F	-13°F	-4°F	5°F	14°F	23°F	32°F	41°F	50°F	59°F
		-40°C	-35°C	-30°C	-25°C	-20°C	-15°C	-10°C	-5°C	0°C	5°C	10°C	15°C
1 & 2	LBP	Blue	Blue	Blue	Blue	Blue	Blue	Blue	Blue	Blue	Blue	Blue	Blue
W & X	L/MBP	Blue	Blue	Blue	Blue	Blue	Blue	Blue	Blue	Red	Red	Blue	Blue
3 & 4	M/HBP	Blue	Blue	Blue	Blue	Blue	Blue	Blue	Blue	Blue	Blue	Blue	Blue

Notes: ■ only for AL compressor. Data for reference only, can be changed without previous notice.