

TABLE A *

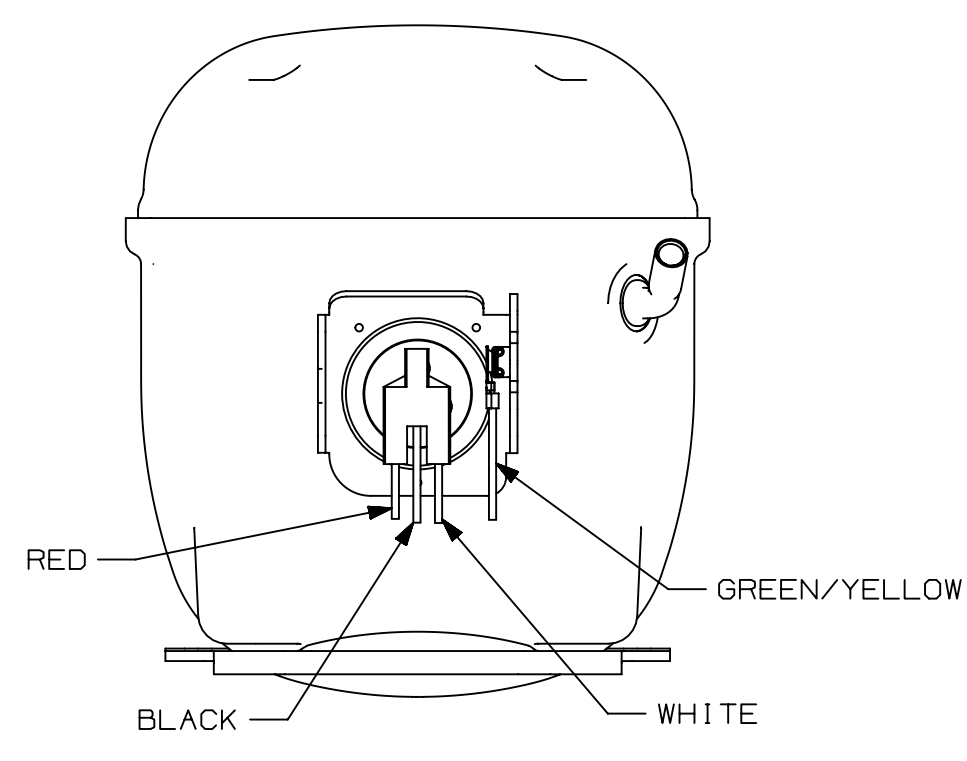
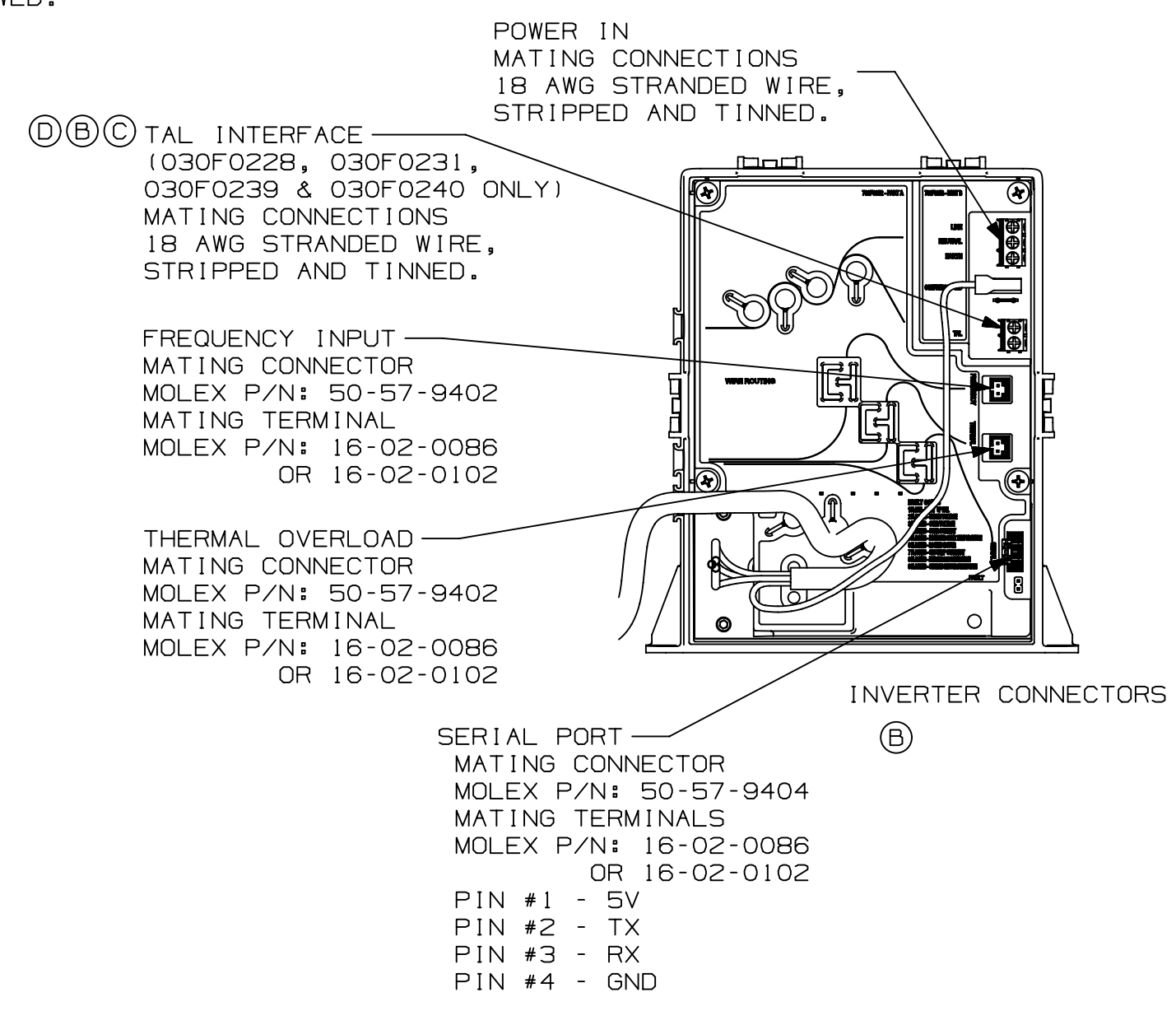
SPEED COMMAND FREQUENCY (Hz)	COMPRESSOR SPEED (RPM)
LESS THAN 80	STOPPED
80 - 83	2500
100	3000
120	3600
133	4000
150	4500

TABLE B

PULSE #	FAILURE CONDITION
1	START UP FAILURE
2	UNDER VOLTAGE
3	OVER VOLTAGE
4	OVER CURRENT
5	INVERTER OVER TEMPERATURE
6	LOCKED ROTOR
7	CN5 TEMP OVERHEAT
8	PHASE LOSS DETECTION
9	STALLED MOTOR DETECTION (030F0207 ONLY)

FROM 83Hz TO 150Hz, THE FOLLOWING EQUATION HOLDS:
 COMPRESSOR SPEED [RPM] = COMMAND FREQUENCY [Hz] * 30

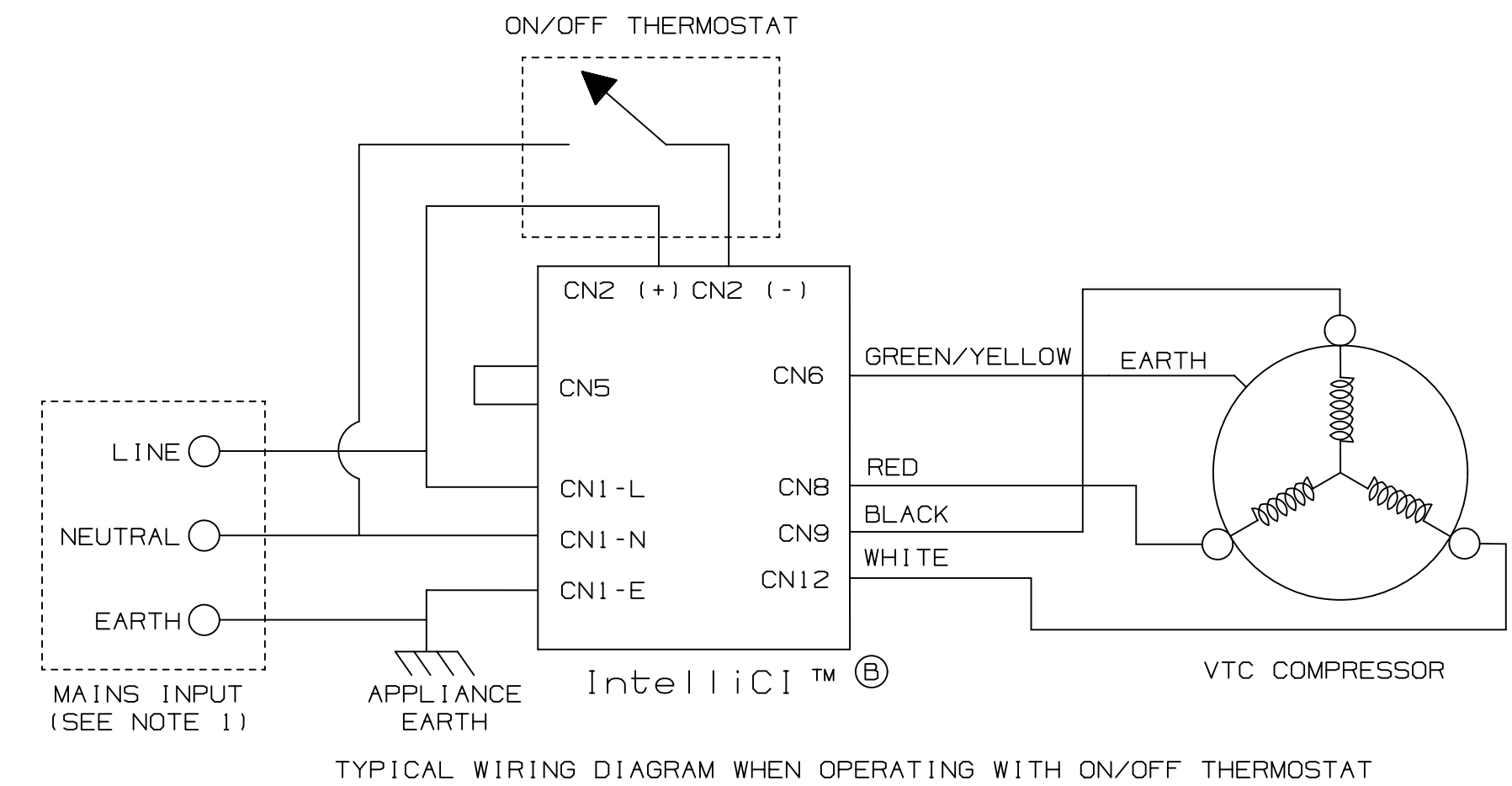
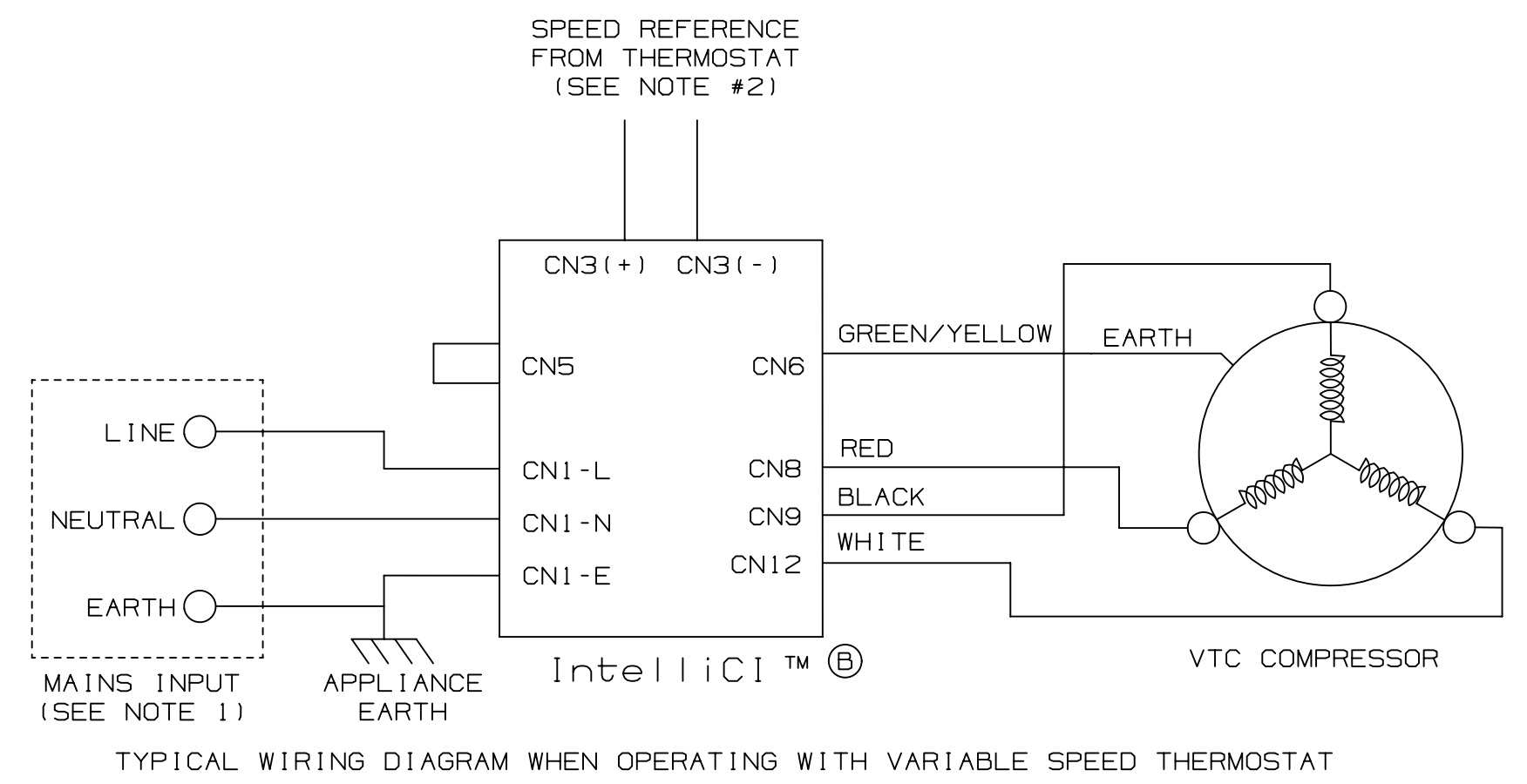
* CHECK COMPRESSOR DATASHEET FOR MAXIMUM AND MINIMUM SPEED ALLOWED.



INVERTER / COMPRESSOR CONNECTIONS

NOTES:

- CHECK THE INVERTER MODEL BEFORE CONNECTING IT. THIS WIRING DOAGRAM IS ONLY INTENDED FOR 030F0207, 030F0228, 030F0231, 030F0239 & 030F0240 MODELS - 155-127VAC / 220-240VAC, 50/60Hz
- ISOLATED SPEED COMMAND INPUT. SQUARE WAVE, 0-5V, 83-150Hz. SEE TABLE A FOR COMMAND OPTIONS.
- ISOLATED COMMAND INPUT FOR ON/OFF THERMOSTAT OPERATION.
- INTERNAL LED FOR FAILURE INFORMATION, SEE TABLE B FOR FAILURE CODES.
- CN5 JUMPER PROVIDED. JUMPER MAY BE REMOVED TO CONNECT TO THERMAL OVERLOAD PROVIDED BY CUSTOMER.



ENGLISH

Q.A. SYMBOLS

- ★ = CATEGORY I
- ▲ = CATEGORY II
- = CATEGORY III
- = CATEGORY IV

LT	LC	CHANGE	DATE	DESCRIPTION
REL	EC79466	ADDED NOTE #5	20AUG18	ADDED NOTE #5 TO NOTE #1
1A	EC96304	REMOVED	13MAY19	REMOVED
3D	EC90543	REV'D MODEL AND VOLTAGE	13MAY19	REV'D MODEL AND VOLTAGE
3B	EC90543	WAS CONTROLLER	13MAY19	WAS CONTROLLER
5E	EC90543	WAS	13MAY19	WAS
6D	EC90543	WAS	13MAY19	WAS
7B	EC90543	WAS	13MAY19	WAS
3D	EC97701	ADDED 030F0239 & 030F0240	18SEP20	ADDED 030F0239 & 030F0240
3D	EC97701	ADDED 030F0239 & 030F0240	18SEP20	ADDED 030F0239 & 030F0240
5F	EC98117	UPDATED TAL INTERFACE	04MAR20	UPDATED TAL INTERFACE
8E	EC98117	UPDATED TABLE B	04MAR20	UPDATED TABLE B
8E	EC98117	UPDATED TABLE B	04MAR20	UPDATED TABLE B

DRAWING, SALES, ELECTRICAL, VTC

SCALE 1:1 & NOTED

MASTERFLUX

DWG NO. DEMX0056