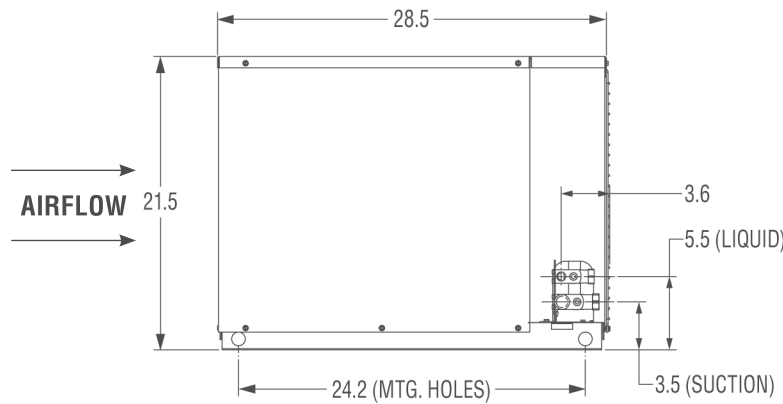
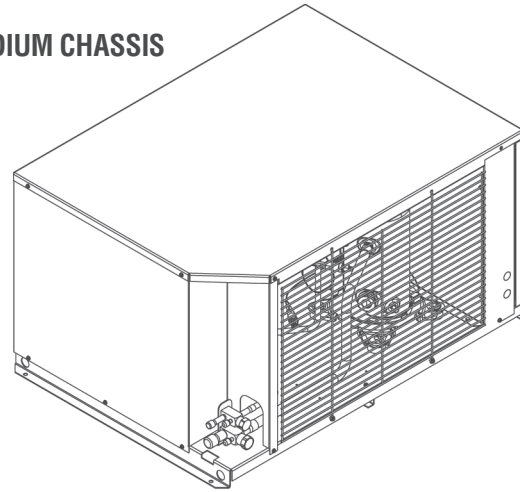


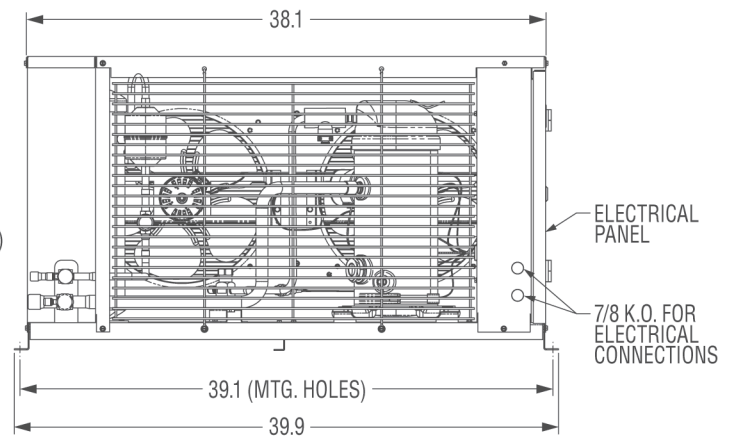
1-1/4 to 2-4/5 HP Medium Temperature Platform (Microchannel)

Project Name:	
Customer Name:	
Model Number:	
Refrigerant:	
Job Location:	
Date:	
AWEF:	

MEDIUM CHASSIS



SIDE VIEW



FRONT VIEW

Physical Data

ARGUS Series	Model Number	Compressor		Connections (inch)		Pump Down Capacity*(lbs) 90% @ 90°F Ambient / R-404A		Net Weight (lbs)
		Model Number	HP	Liquid	Suction	Standard	Oversized	
R-404A R-448A R-449A R-452A	AS*R9510ZNA***	AW9480ZXN	1-1/4	3/8" S	5/8" S	18.36	23.08	234
	AS*R9510ZFA***	AW9480ZXT	1-1/4	3/8" S	5/8" S	18.36	23.08	234
	AS*R9512ZNA***	AWA9512ZXN	1-1/2	3/8" S	5/8" S	18.36	23.08	234
	AS*R9512ZFA***	AWA9512ZXT	1-1/2	3/8" S	5/8" S	18.36	23.08	234
	AS*S9516ZNA***	VSC9515XNA	2	1/2" S	7/8" S	18.36	23.08	234
	AS*S9516ZFA***	VSC9516XMA	2	1/2" S	7/8" S	18.36	23.08	234
	AS*S9520ZNA***	VSC9519XNA	2-1/2	1/2" S	7/8" S	18.36	23.08	234
	AS*S9520ZFA***	VSC9519XMA	2-1/2	1/2" S	7/8" S	18.36	23.08	234
	AS*S9522ZNA***	VSC9521XNA	2-4/5	1/2" S	7/8" S	18.36	23.08	234
	AS*S9522ZFA***	VSC9521XMA	2-4/5	1/2" S	7/8" S	18.36	23.08	234

*Receiver + Coil Capacity

Electrical Data

Model Number	Power Supply	Compressor		Condensing Unit		Fan Motor (PSC)			Fan Motor (EC)		
	Volts/Hz/Ph	RLA	LRA	MCA*	MOPD	Qty	HP	FLA	Qty	HP	FLA
AS*R9510ZNA***	208-230/60/1	10.30	52	13.9	20	2	1/20	0.45	2	1/20	0.5
AS*R9510ZFA***	208-230/60/3	6.40	51	9.1	15	2	1/20	0.45	2	1/20	0.5
AS*R9512ZNA***	208-230/60/1	12.40	60	16.7	25	2	1/20	0.45	2	1/20	0.5
AS*R9512ZFA***	208-230/60/3	7.75	50	10.8	15	2	1/20	0.45	2	1/20	0.5
AS*S9516ZNA***	208-230/60/1	12.20	69	16.4	25	2	1/20	0.45	2	1/20	0.5
AS*S9516ZFA***	208-230/60/3	9.30	60	12.8	20	2	1/20	0.45	2	1/20	0.5
AS*S9520ZNA***	208-230/60/1	16.00	97	21.1	35	2	1/20	0.45	2	1/20	0.5
AS*S9520ZFA***	208-230/60/3	11.20	95	15.1	25	2	1/20	0.45	2	1/20	0.5
AS*S9522ZNA***	208-230/60/1	16.70	97	22.1	35	2	1/20	0.45	2	1/20	0.5
AS*S9522ZFA***	208-230/60/3	11.20	95	15.2	25	2	1/20	0.45	2	1/20	0.5

*Add .21 Amps for Heated Receiver

DOE AWEF (AHRI 1250)

AWEF Table	Model Number	Indoor	Outdoor
R-404A	AS*R9510Z*****	5.61	8.28
	AS*R9512Z*****	5.69	8.32
	AS*S9516Z*****	5.93	8.86
	AS*S9520Z*****	5.79	7.99
	AS*S9522Z*****	5.61	8.50
R-449A / R-448A	AS*R9510Z*****	5.61	8.09
	AS*R9512Z*****	5.73	8.08
	AS*S9516Z*****	5.87	8.24
	AS*S9520Z*****	5.79	7.99
	AS*S9522Z*****	5.61	8.36
R-452A	AS*R9510Z*****	5.61	8.09
	AS*R9512Z*****	5.61	8.08
	AS*S9516Z*****	5.61	8.32
	AS*S9520Z*****	5.61	8.17
	AS*S9522Z*****	5.61	8.10

1-1/4 to 2-4/5 HP Medium Temperature Platform (Microchannel)

Performance Tables (R-404A)

80°F AMBIENT						
Model Number	Suction Temperature (SST)					
	30°F	25°F	20°F	10°F	0°F	-10°F
AS*R9510Z*****	15,591	14,027	13,236	10,345	7,838	5,703
AS*R9512Z*****	20,898	18,964	18,050	14,337	10,997	8,017
AS*S9516Z*****	23,229	21,352	20,623	16,994	13,720	10,786
AS*S9520Z*****	27,719	25,492	24,642	20,363	16,523	13,106
AS*S9522Z*****	29,992	27,775	27,020	22,544	18,348	14,411

90°F AMBIENT						
Model Number	Suction Temperature (SST)					
	30°F	25°F	20°F	10°F	0°F	-10°F
AS*R9510Z*****	13,741	12,309	11,565	8,960	6,734	4,880
AS*R9512Z*****	18,606	16,823	15,952	12,564	9,547	6,885
AS*S9516Z*****	21,240	19,504	18,823	15,498	12,524	9,887
AS*S9520Z*****	25,346	23,300	22,520	18,625	15,168	12,130
AS*S9522Z*****	27,202	25,191	24,510	20,478	16,718	13,217

95°F AMBIENT						
Model Number	Suction Temperature (SST)					
	30°F	25°F	20°F	10°F	0°F	-10°F
AS*R9510Z*****	12,816	11,451	10,730	8,266	6,183	4,469
AS*R9512Z*****	17,461	15,753	14,902	11,678	8,822	6,321
AS*S9516Z*****	20,246	18,580	17,923	14,750	11,926	9,439
AS*S9520Z*****	24,160	22,203	21,457	17,757	14,490	11,643
AS*S9522Z*****	25,806	23,898	23,256	19,445	15,904	12,620

100°F AMBIENT						
Model Number	Suction Temperature (SST)					
	30°F	25°F	20°F	10°F	0°F	-10°F
AS*R9510Z*****	11,890	10,592	9,893	7,573	5,631	4,058
AS*R9512Z*****	16,315	14,683	13,853	10,792	8,097	5,755
AS*S9516Z*****	19,251	17,656	17,023	14,002	11,327	8,989
AS*S9520Z*****	22,974	21,107	20,396	16,888	13,813	11,155
AS*S9522Z*****	24,411	22,606	22,001	18,411	15,090	12,023

110°F AMBIENT						
Model Number	Suction Temperature (SST)					
	30°F	25°F	20°F	10°F	0°F	-10°F
AS*R9510Z*****	10,040	8,874	8,222	6,187	4,528	3,235
AS*R9512Z*****	14,023	12,543	11,755	9,019	6,646	4,625
AS*S9516Z*****	17,262	15,809	15,223	12,505	10,132	8,091
AS*S9520Z*****	20,601	18,914	18,272	15,152	12,458	—
AS*S9522Z*****	21,620	20,021	19,492	16,345	13,461	—

*All capacity data is at dew point conditions

*Return gas 40°F below 20°F Evaporator and 65°F above 20°F evaporator, Sub Cooling 5°F

*Medium temperature evaporating temperature range is from -10°F to +45°F

Performance Tables (R-448A / R-449A)

80°F AMBIENT						
Model Number	Suction Temperature (SST)					
	30°F	25°F	20°F	10°F	0°F	-10°F
AS*R9510Z*****	14,201	12,553	11,596	8,758	6,463	4,701
AS*R9512Z*****	19,105	17,108	15,995	12,303	9,071	6,289
AS*S9516Z*****	19,968	18,265	17,486	14,233	11,302	8,682
AS*S9520Z*****	23,673	21,573	20,593	16,729	13,378	10,526
AS*S9522Z*****	26,708	24,478	23,496	19,279	15,517	12,198

90°F AMBIENT						
Model Number	Suction Temperature (SST)					
	30°F	25°F	20°F	10°F	0°F	-10°F
AS*R9510Z*****	12,604	11,039	10,092	7,433	5,315	3,729
AS*R9512Z*****	17,273	15,395	14,321	10,885	7,907	5,378
AS*S9516Z*****	18,567	16,954	16,204	13,142	10,404	7,974
AS*S9520Z*****	21,976	19,991	19,052	15,436	12,330	—
AS*S9522Z*****	24,885	22,776	21,834	17,873	14,366	11,301

95°F AMBIENT						
Model Number	Suction Temperature (SST)					
	30°F	25°F	20°F	10°F	0°F	-10°F
AS*R9510Z*****	11,806	10,282	9,339	6,770	4,741	3,242
AS*R9512Z*****	16,356	14,539	13,484	10,176	7,326	4,923
AS*S9516Z*****	17,866	16,298	15,561	12,597	9,954	7,620
AS*S9520Z*****	21,127	19,200	18,281	14,789	11,806	—
AS*S9522Z*****	23,974	21,925	21,002	17,170	13,791	—

100°F AMBIENT						
Model Number	Suction Temperature (SST)					
	30°F	25°F	20°F	10°F	0°F	-10°F
AS*R9510Z*****	11,008	9,526	8,588	6,108	4,168	2,756
AS*R9512Z*****	15,440	13,683	12,647	9,467	6,743	4,467
AS*S9516Z*****	17,165	15,643	14,920	12,053	9,504	—
AS*S9520Z*****	20,278	18,409	17,512	14,142	—	—
AS*S9522Z*****	23,063	21,074	20,170	16,467	13,216	—

110°F AMBIENT						
Model Number	Suction Temperature (SST)					
	30°F	25°F	20°F	10°F	0°F	-10°F
AS*R9510Z*****	9,411	8,012	7,084	4,783	3,019	1,783
AS*R9512Z*****	13,608	11,970	10,972	8,049	5,580	3,556
AS*S9516Z*****	15,764	14,332	13,636	10,963	—	—
AS*S9520Z*****	18,580	16,828	15,970	—	—	—
AS*S9522Z*****	21,240	19,372	18,507	15,062	—	—

Performance Tables (R-452A)

80°F AMBIENT						
Model Number	Suction Temperature (SST)					
	30°F	25°F	20°F	10°F	0°F	-10°F
AS*R9510Z*****	14,174	12,682	11,880	9,174	6,863	4,938
AS*R9512Z*****	19,848	17,889	16,876	13,194	9,933	7,083
AS*S9516Z*****	20,409	18,617	17,820	14,489	11,584	9,091
AS*S9520Z*****	25,702	23,286	22,183	18,029	14,708	12,202
AS*S9522Z*****	27,029	25,138	24,494	20,470	16,512	12,605

90°F AMBIENT						
Model Number	Suction Temperature (SST)					
	30°F	25°F	20°F	10°F	0°F	-10°F
AS*R9510Z*****	12,595	11,184	10,388	7,857	5,720	3,966
AS*R9512Z*****	17,747	15,920	14,942	11,545	8,567	5,996
AS*S9516Z*****	18,684	17,024	16,282	13,236	10,611	8,397
AS*S9520Z*****	24,076	21,749	20,656	16,694	13,563	11,245
AS*S9522Z*****	24,962	23,220	22,628	18,924	15,281	11,687

95°F AMBIENT						
Model Number	Suction Temperature (SST)					
	30°F	25°F	20°F	10°F	0°F	-10°F
AS*R9510Z*****	11,805	10,435	9,641	7,198	5,148	3,480
AS*R9512Z*****	16,696	14,936	13,975	10,721	7,884	5,454
AS*S9516Z*****	17,821	16,228	15,513	12,608	10,124	8,051
AS*S9520Z*****	23,263	20,981	19,894	16,028	12,991	10,766
AS*S9522Z*****	23,928	22,260	21,696	18,150	14,665	11,228

100°F AMBIENT						
Model Number	Suction Temperature (SST)					
	30°F	25°F	20°F	10°F	0°F	-10°F
AS*R9510Z*****	11,015	9,686	8,895	6,540	4,575	2,995
AS*R9512Z*****	15,645	13,951	13,008	9,897	7,201	4,911
AS*S9516Z*****	16,959	15,432	14,744	11,981	9,638	7,704
AS*S9520Z*****	22,450	20,212	19,131	15,360	12,418	10,288
AS*S9522Z*****	22,895	21,301	20,764	17,378	14,049	10,768

110°F AMBIENT						
Model Number	Suction Temperature (SST)					
	30°F	25°F	20°F	10°F	0°F	-10°F
AS*R9510Z*****	9,435	8,187	7,403	5,222	3,432	2,023
AS*R9512Z*****	13,544	11,983	11,074	8,247	5,835	3,825
AS*S9516Z*****	15,234	13,839	13,207	10,728	8,665	—
AS*S9520Z*****	20,824	18,675	17,606	14,026	11,274	—
AS*S9522Z*****	20,827	19,382	18,899	15,832	12,818	—