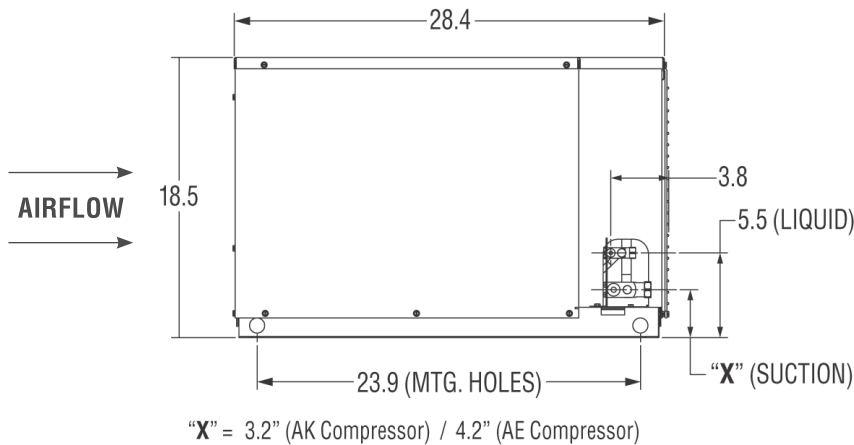
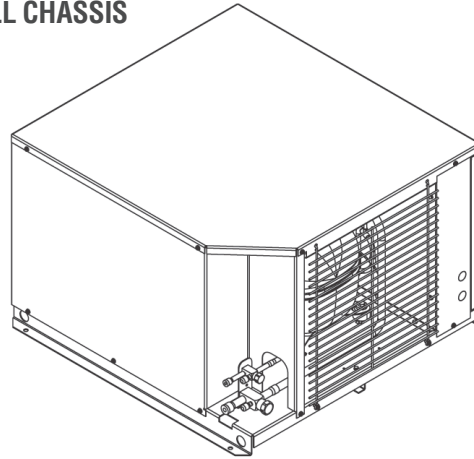


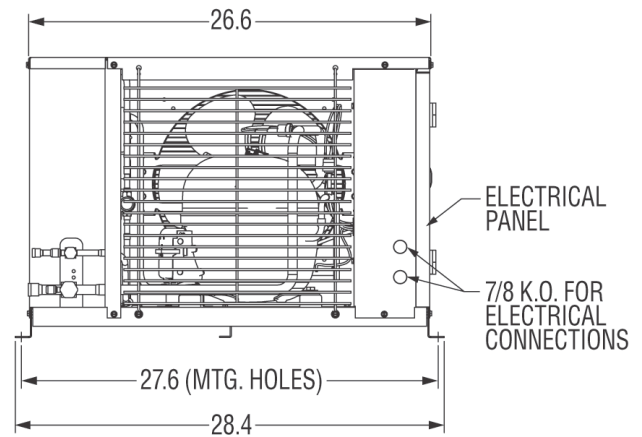
1/2 to 1-1/2 HP Low Temperature Platform (Microchannel)

Project Name:	
Customer Name:	
Model Number:	
Refrigerant:	
Job Location:	
Date:	
AWEF:	

SMALL CHASSIS



SIDE VIEW



FRONT VIEW

Physical Data

ARGUS Series	Model Number	Compressor		Connections (inch)		Pump Down Capacity* (lbs) 90% @ 90°F Ambient / R-404A		Net Weight (lbs)
		Model Number	HP	Liquid	Suction	Standard	Oversized	
R-404A R-448A/ R-449A R-452A	AS*R2430ZNA***	AK2430Z-NA3C	3/4	3/8" S	5/8" S	8.04	15.20	159
	AS*R2440ZNA***	AK2463Z-NA3C	1	3/8" S	5/8" S	8.04	15.20	159
	AS*R2450ZNA***	AK2448Z-NA3C	1-1/4	3/8" S	5/8" S	8.04	15.20	159
	AS*R2460ZNA***	AWA2450ZXD	1-1/2	3/8" S	5/8" S	8.04	15.20	196
	AS*R2460ZFA***	AWA2450ZXT	1-1/2	3/8" S	5/8" S	8.04	15.20	196

*Receiver + Coil Capacity

Electrical Data

Model Number	Power Supply	Compressor		Condensing Unit		Fan Motor (PSC)			Fan Motor (EC)		
	Volts/Hz/Ph	RLA	LRA	MCA*	MOPD	Qty	HP	FLA	Qty	HP	FLA
AS*R2430ZNA***	208-230/60/1	3.7	22.0	5.3	15	1	1/20	0.45	1	1/20	0.5
AS*R2440ZNA***	208-230/60/1	4.2	29.7	5.9	15	1	1/20	0.45	1	1/20	0.5
AS*R2450ZNA***	208-230/60/1	5.9	32.4	8.0	15	1	1/20	0.45	1	1/20	0.5
AS*R2460ZNA***	208-230/60/1	9.4	56.0	12.4	20	1	1/20	0.45	1	1/20	0.5
AS*R2460ZFA***	208-230/60/3	5.8	40.5	8.0	15	1	1/20	0.45	1	1/20	0.5

*Add .21 Amps for Heated Receiver

DOE AWEF (AHRI 1250)

AWEF Table	Model Number	Indoor	Outdoor
R-404A	AS*R2430Z*****	2.25	3.21
	AS*R2440Z*****	2.30	3.18
	AS*R2450Z*****	2.58	3.17
	AS*R2460Z*****	2.42	3.22
R-448A/ R-449A	AS*R2430Z*****	2.25	3.10
	AS*R2440Z*****	2.28	3.10
	AS*R2460Z*****	2.29	3.18
R-452A	AS*R2430Z*****	2.09	3.11
	AS*R2440Z*****	2.03	3.10
	AS*R2450Z*****	2.35	3.12
	AS*R2460Z*****	2.25	2.96

1/2 to 1-1/2 HP Low Temperature Platform (Microchannel)

Performance Tables (R-404A)

80°F AMBIENT						
Model Number	Suction Temperature (SST)					
	-30°F	-25°F	-20°F	-10°F	0°F	10°F
AS*R2430Z*****	1,910	2,330	2,750	3,720	4,770	5,490
AS*R2440Z*****	2,190	2,675	3,150	4,110	5,000	5,880
AS*R2450Z*****	3,328	3,946	4,551	5,724	6,849	7,926
AS*R2460Z*****	3,610	4,525	5,490	7,285	9,600	11,840

90°F AMBIENT						
Model Number	Suction Temperature (SST)					
	-30°F	-25°F	-20°F	-10°F	0°F	10°F
AS*R2430Z*****	1,520	1,910	2,325	3,120	4,200	5,250
AS*R2440Z*****	1,820	2,325	2,790	3,685	4,585	5,420
AS*R2450Z*****	2,972	3,538	4,091	5,161	6,182	7,154
AS*R2460Z*****	3,050	3,875	4,690	6,493	8,415	10,600

95°F AMBIENT						
Model Number	Suction Temperature (SST)					
	-30°F	-25°F	-20°F	-10°F	0°F	10°F
AS*R2430Z*****	1,315	1,690	2,085	2,860	3,900	4,940
AS*R2440Z*****	1,690	2,140	2,610	3,377	4,350	5,185
AS*R2450Z*****	2,795	3,334	3,861	4,879	5,848	6,769
AS*R2460Z*****	2,860	3,515	4,310	6,200	7,875	10,100

100°F AMBIENT						
Model Number	Suction Temperature (SST)					
	-30°F	-25°F	-20°F	-10°F	0°F	10°F
AS*R2430Z*****	1,120	1,470	1,850	2,700	3,610	4,610
AS*R2440Z*****	1,520	1,965	2,410	3,300	4,140	4,950
AS*R2450Z*****	2,617	3,130	3,631	4,597	5,515	6,383
AS*R2460Z*****	2,750	3,175	3,940	5,580	7,280	9,300

110°F AMBIENT						
Model Number	Suction Temperature (SST)					
	-30°F	-25°F	-20°F	-10°F	0°F	10°F
AS*R2430Z*****	7,20	1,050	1,400	2,155	3,010	3,975
AS*R2440Z*****	1,175	1,610	2,050	2,900	3,710	4,490
AS*R2450Z*****	2,261	2,723	3,172	4,034	4,847	5,612
AS*R2460Z*****	2,275	2,775	3,270	4,590	6,125	7,810

*Return gas 40°F evaporator, Sub Cooling 5°F

Performance Tables (R-448A / R-449A)

80°F AMBIENT						
Model Number	Suction Temperature (SST)					
	-30°F	-25°F	-20°F	-10°F	0°F	10°F
AS*R2430Z*****	1,439	1,807	2,200	3,021	3,907	4,855
AS*R2440Z*****	1,610	1,952	2,353	3,290	4,425	5,755
AS*R2450Z*****	2,170	2,615	3,111	4,257	5,609	7,168
AS*R2460Z*****	2,767	3,513	4,345	6,181	8,283	10,648

90°F AMBIENT						
Model Number	Suction Temperature (SST)					
	-30°F	-25°F	-20°F	-10°F	0°F	10°F
AS*R2430Z*****	1,139	1,507	1,939	2,760	3,579	4,519
AS*R2440Z*****	1,367	1,676	2,084	2,952	3,947	5,200
AS*R2450Z*****	1,952	2,342	2,784	3,821	5,065	6,515
AS*R2460Z*****	2,125	2,837	3,707	5,474	7,372	9,649

95°F AMBIENT						
Model Number	Suction Temperature (SST)					
	-30°F	-25°F	-20°F	-10°F	0°F	10°F
AS*R2430Z*****	983	1,345	1,722	2,575	3,410	4,335
AS*R2440Z*****	1,239	1,524	1,857	2,724	3,701	4,904
AS*R2450Z*****	1,843	2,206	2,620	3,603	4,793	6,188
AS*R2460Z*****	1,973	2,476	3,222	5,011	6,906	9,116

100°F AMBIENT						
Model Number	Suction Temperature (SST)					
	-30°F	-25°F	-20°F	-10°F	0°F	10°F
AS*R2430Z*****	831	1,188	1,565	2,374	3,237	4,173
AS*R2440Z*****	1,116	1,377	1,692	2,480	3,453	4,633
AS*R2450Z*****	1,734	2,070	2,457	3,386	4,521	5,862
AS*R2460Z*****	1,763	2,124	2,852	4,519	6,435	8,630

110°F AMBIENT						
Model Number	Suction Temperature (SST)					
	-30°F	-25°F	-20°F	-10°F	0°F	10°F
AS*R2430Z*****	524	884	1,251	2,036	2,913	3,831
AS*R2440Z*****	864	1,107	1,420	2,142	3,097	4,232
AS*R2450Z*****	1,516	1,797	2,130	2,950	3,976	5,209
AS*R2460Z*****	1,551	1,797	2,427	3,661	4,645	7,618

Performance Tables (R-452A)

80°F AMBIENT						
Model Number	Suction Temperature (SST)					
	-30°F	-25°F	-20°F	-10°F	0°F	10°F
AS*R2430Z*****	1,650	2,100	2,550	3,500	4,415	5,325
AS*R2440Z*****	1,678	2,140	2,601	3,523	4,443	5,362
AS*R2450Z*****	2,883	3,309	3,783	4,876	6,162	7,641
AS*R2460Z*****	3,150	3,850	4,600	6,350	8,450	10,900

90°F AMBIENT						
Model Number	Suction Temperature (SST)					
	-30°F	-25°F	-20°F	-10°F	0°F	10°F
AS*R2430Z*****	1,300	1,725	2,050	2,900	3,850	4,700
AS*R2440Z*****	1,337	1,766	2,194	3,050	3,905	4,759
AS*R2450Z*****	2,523	2,908	3,341	4,352	5,556	6,953
AS*R2460Z*****	2,570	3,075	3,750	5,420	7,350	9,650

95°F AMBIENT						
Model Number	Suction Temperature (SST)					
	-30°F	-25°F	-20°F	-10°F	0°F	10°F
AS*R2430Z*****	1,125	1,525	1,850	2,675	3,600	4,425
AS*R2440Z*****	1,166	1,578	1,991	2,814	3,637	4,458
AS*R2450Z*****	2,344	2,708	3,121	4,090	5,253	6,609
AS*R2460Z*****	2,325	2,700	3,350	4,925	6,800	9,050

100°F AMBIENT						
Model Number	Suction Temperature (SST)					
	-30°F	-25°F	-20°F	-10°F	0°F	10°F
AS*R2430Z*****	950	1,350	1,740	2,520	3,310	4,100
AS*R2440Z*****	995	1,391	1,787	2,578	3,368	4,156
AS*R2450Z*****	2,164	2,508	2,900	3,828	4,950	6,264
AS*R2460Z*****	2,200	2,550	2,950	4,450	6,275	8,450

110°F AMBIENT						
Model Number	Suction Temperature (SST)					
	-30°F	-25°F	-20°F	-10°F	0°F	10°F
AS*R2430Z*****	610	965	1,350	2,050	2,800	3,500
AS*R2440Z*****	653	1,017	1,380	2,106	2,831	3,554
AS*R2450Z*****	1,804	2,107	2,458	3,304	4,344	5,576
AS*R2460Z*****	1,875	2,150	2,525	3,475	5,170	7,225